



# Cat<sup>®</sup>

## 301.7 CR

### MINI EXCAVATOR

#### FEATURES:

The Cat<sup>®</sup> 301.7 CR Mini Excavator delivers power and performance in a compact size to help you work in a wide range of applications.

#### ALL DAY COMFORT

- Adjustable wrist rests and a suspension seat option help keep you working comfortably all day long.

#### EASY TO OPERATE

- Controls are easy to use and the intuitive Next Generation LCD monitor provides easy to read machine information.

#### STICK STEER TRAVEL MODE

- Moving around the job site is even easier with the Cat Stick Steer option. Easily switch from traditional travel controls with levers and pedals to joystick controls with a push of a button. The benefit of less effort and improved control is in your hands!

#### BIG PERFORMANCE IN A COMPACT DESIGN

- Strong lift and dig performance helps you get the job done faster. The compact radius design and retractable undercarriage lets you access and work in the tightest areas. Dig-to-blade and dozer float features allow for easy clean up.

#### SAFETY ON THE JOB SITE

- Your safety is our top priority. The Cat mini excavator is designed to help keep you safe on the job. Courtesy work lights and a fluorescent retractable seat belt with optional seat belt reminder system are just a couple of the safety features we've built into the machine.

#### SIMPLE SERVICE FOR LESS DOWNTIME

- Maintenance is quick and easy on the Cat mini excavator. Routine check points are easy to access at ground level through the side doors. The unique tilt up canopy lets you reach additional service areas when needed.

#### LOWER OPERATING COSTS

- Equipped with features such as auto idle, auto engine shutdown, and efficient hydraulics with a variable displacement pump, the Cat mini excavator was designed with reducing your operating costs in mind.

#### UNMATCHED DEALER SUPPORT

- Your Cat dealer is here to help you reach your business goals. From providing equipment solutions to operator training to service needs and beyond, your Cat dealer is ready to help.



# 301.7 CR Mini Excavator

## Specifications

### Engine

Engine Model	C1.1	
<b>Net Power @ 2,400 rpm</b>		
ISO 9249, 80/1269/EEC	15.7 kW	21 hp
<b>Engine Power</b>		
SAE J1995:2014	16.1 kW	21.6 hp
Bore	77.0 mm	3.0 in
Stroke	81.0 mm	3.2 in
Displacement	1.1 L	69.0 in <sup>3</sup>

- Meets U.S. EPA Tier 4 Final and EU Stage V emission standards.
- Net power advertised is the power available at the flywheel when the engine is at rated speed and rated power when the engine is installed with the factory configured fan, air intake system, exhaust system, and alternator with a minimum alternator load.
- Advertised power is tested per the specified standard in effect at the time of manufacture.

### Weights

Minimum Operating Weight with Canopy*	1790 kg	3,946 lb
Maximum Operating Weight with Canopy**	1915 kg	4,222 lb
EU: CE Plate Weight***	1890 kg	4,167 lb

\*Minimum Weight is based on rubber tracks, operator, expandable undercarriage and full fuel tank.

\*\*Maximum Weight is based on steel tracks, operator, expandable undercarriage and full fuel tank.

\*\*\*CE Plate Weight is based on the most common EU configuration. Includes 75 kg (165 lb) operator and full fuel tank and excludes bucket.

### Weight Increase from Minimum Configuration

Long Stick	10 kg	22 lb
Steel Tracks	50 kg	110 lb
Expandable Undercarriage	Standard	
Heavy Counterweight	67 kg	148 lb

### Travel System

Travel Speed – High	4.4 km/h	2.7 mph
Travel Speed – Low	2.9 km/h	1.8 mph
Maximum Traction Force – High Speed	11.9 kN	2,675.2 lbf
Maximum Traction Force – Low Speed	18.4 kN	4,136.5 lbf
Ground Pressure – Minimum Weight	27.9 kPa	4.0 psi
Ground Pressure – Maximum Weight	30.0 kPa	4.4 psi
Gradeability (maximum)	30 degrees	

### Service Refill Capacities

Cooling System	3.9 L	1.0 gal
Engine Oil	4.4 L	1.2 gal
Fuel Tank	22.0 L	5.8 gal
Hydraulic Tank	18.0 L	4.8 gal
Hydraulic System	26.0 L	6.9 gal

### Hydraulic System

Load Sensing Hydraulics with Variable Displacement Piston Pump		
Pump Flow @ 2,400 rpm	66 L/min	17.4 gal/min
Operating Pressure – Equipment	245 bar	3,553.4 psi
Operating Pressure – Travel	245 bar	3,553.4 psi
Operating Pressure – Swing	147 bar	2,132.1 psi
Auxiliary Circuit – Primary		
Flow	33 L/min	8.7 gal/min
Pressure	245 bar	3,553.4 psi
Auxiliary Circuit – Secondary		
Flow	14 L/min	3.7 gal/min
Pressure	245 bar	3,553.4 psi
Digging Force – Stick (standard)	9.5 kN	2,135.7 lbf
Digging Force – Stick (long)	8.3 kN	1,865.9 lbf
Digging Force – Bucket	16.2 kN	3,641.9 lbf

### Swing System

Machine Swing Speed	9.8 rpm
---------------------	---------

### Blade

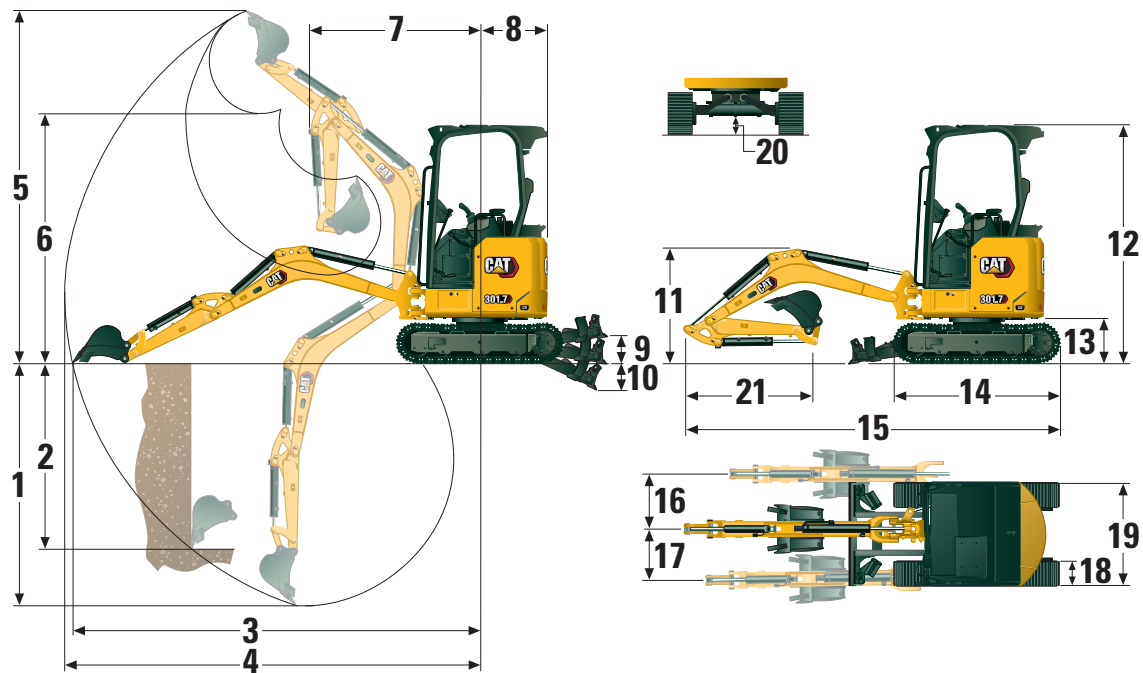
Width*	990 mm	39.0 in
Height	225 mm	8.9 in

\*Expanded – 1300 mm (51 in)

### Certification – Canopy

Roll Over Protective Structure (ROPS)	ISO 12117-2:2008
Tip Over Protective Structure (TOPS)	ISO 12117:1997
Top Guard	ISO 10262:1998 (Level I)

# 301.7 CR Mini Excavator



## Dimensions

	Standard Stick	Long Stick
1 Dig Depth	2350 mm (92.5 in)	2540 mm (100.0 in)
2 Vertical Wall	1800 mm (70.9 in)	1890 mm (74.4 in)
3 Maximum Reach at Ground Level	3900 mm (153.5 in)	4060 mm (159.8 in)
4 Maximum Reach	3970 mm (156.3 in)	4130 mm (162.6 in)
5 Maximum Dig Height	3430 mm (135.0 in)	3490 mm (137.4 in)
6 Maximum Dump Clearance	2450 mm (96.5 in)	2510 mm (98.8 in)
7 Boom in Reach	1630 mm (64.2 in)	1620 mm (63.8 in)
8 Tail Swing	650 mm (25.6 in)	650 mm (25.6 in)
9 Maximum Blade Height	270 mm (10.6 in)	270 mm (10.6 in)
10 Maximum Blade Depth	265 mm (10.4 in)	265 mm (10.4 in)
11 Boom Height in Shipping Position	1090 mm (42.9 in)	1040 mm (40.9 in)
12 Overall Shipping Height	2300 mm (90.6 in)	2300 mm (90.6 in)
13 Swing Bearing Height	442 mm (17.4 in)	442 mm (17.4 in)
14 Overall Undercarriage Length	1590 mm (62.6 in)	1590 mm (62.6 in)
15 Overall Shipping Length†	3620 mm (142.5 in)	3590 mm (141.3 in)
16 Boom Swing Right	50 degrees	50 degrees
17 Boom Swing Left	65 degrees	65 degrees
18 Track Belt/Shoe Width	230 mm (9.1 in)	230 mm (9.1 in)
19 Track Width		
Retracted	990 mm (39.0 in)	990 mm (39.0 in)
Expanded	1300 mm (51.18 in)	1300 mm (51.18 in)
20 Minimum Ground Clearance Below Undercarriage	140 mm (5.5 in)	140 mm (5.5 in)
21 Stick Length	960 mm (37.8 in)	1160 mm (45.7 in)

†Overall Shipping Length depends on blade position during shipment.

# 301.7 CR Mini Excavator

## Lift Capacities – Minimum Configuration\*

Lift Point Height			2 m (6.6 ft)			Lift Point Radius (Maximum)			
			Over Front		Over Side	Over Front		Over Side	m (ft)
			Blade Up	Blade Down		Blade Up	Blade Down		
2 m (6.6 ft)	Standard Stick	kg (lb)				232 (517)	336 (744)	246 (549)	3.1 (10.0)
	Long Stick	kg (lb)				210 (467)	268 (593)	223 (497)	3.3 (10.8)
1.5 m (4.9 ft)	Standard Stick	kg (lb)	442 (946)	442 (946)	442 (946)	204 (452)	329 (726)	217 (481)	3.3 (10.8)
	Long Stick	kg (lb)				186 (412)	265 (585)	199 (440)	3.5 (11.7)
1 m (3.3 ft)	Standard Stick	kg (lb)	435 (938)	775 (1,644)	458 (988)	190 (420)	336 (740)	203 (448)	3.4 (11.7)
	Long Stick	kg (lb)	441 (950)	636 (1,351)	464 (1,000)	174 (384)	273 (600)	186 (411)	3.6 (12.5)
0 m (0 ft)	Standard Stick	kg (lb)	398 (858)	938 (2,018)	422 (909)	189 (418)	398 (877)	202 (446)	3.4 (11.7)
	Long Stick	kg (lb)	394 (848)	946 (2,031)	417 (899)	172 (380)	323 (712)	185 (407)	3.6 (11.7)

\*Minimum Weight includes rubber tracks, canopy, operator, full fuel tank, expanded undercarriage, and no bucket.

## Lift Capacities – Maximum Configuration\*\*

Lift Point Height			2 m (6.6 ft)			Lift Point Radius (Maximum)			
			Over Front		Over Side	Over Front		Over Side	m (ft)
			Blade Up	Blade Down		Blade Up	Blade Down		
2 m (6.6 ft)	Standard Stick	kg (lb)				264 (587)	336 (744)	278 (619)	3.1 (10.0)
	Long Stick	kg (lb)				239 (532)	268 (593)	253 (562)	3.3 (10.8)
1.5 m (4.9 ft)	Standard Stick	kg (lb)	442 (946)	442 (946)	442 (946)	233 (516)	329 (726)	246 (546)	3.3 (10.8)
	Long Stick	kg (lb)				213 (472)	265 (585)	226 (500)	3.5 (11.7)
1 m (3.3 ft)	Standard Stick	kg (lb)	491 (1,059)	775 (1,644)	515 (1,110)	218 (481)	336 (740)	231 (509)	3.4 (11.7)
	Long Stick	kg (lb)	497 (1,071)	636 (1,351)	520 (1,122)	200 (442)	273 (600)	212 (469)	3.6 (12.5)
0 m (0 ft)	Standard Stick	kg (lb)	455 (979)	938 (2,018)	479 (1,031)	218 (480)	398 (877)	231 (509)	3.4 (11.7)
	Long Stick	kg (lb)	450 (969)	946 (2,031)	474 (1,021)	199 (438)	323 (712)	211 (466)	3.6 (11.7)

\*\*Maximum Weight includes steel tracks, canopy, operator, full fuel tank, expanded undercarriage, heavy counterweight, and no bucket.

## Standard and Optional Equipment

Standard and optional equipment may vary. Consult your Cat dealer for details.

	Standard	Optional		Standard	Optional
<b>ENGINE</b>			<b>OPERATOR ENVIRONMENT (continued)</b>		
Cat® C1.1 Engine (U.S. EPA Tier 4 Final/ EU Stage V)	✓		No Travel Pedals and Hand Levers		✓
Automatic Engine Idle	✓		Machine Security	✓	
Automatic Engine Shutdown	✓		Standard Key with Pass Code	✓	
Automatic Two Speed Travel	✓		Push to Start with Key Fob/Pass Code		✓
Fuel Water Separator	✓		Vinyl Non-Suspension Seat	✓	
Power on Demand (not available in all regions)	✓		Vinyl Suspension Seat		✓
Variable Displacement Piston Pump	✓		Hydraulic Lockout – All Controls	✓	
Load Sensing/Flow Sharing Hydraulics	✓		Retractable High Visibility Seat Belt (75 mm/3 in)	✓	
<b>HYDRAULICS</b>			Seat Belt Reminder System		✓
Smart Tech Electronic Pump	✓		Coat Hook	✓	
Accumulator	✓		Cup Holder	✓	
Automatic Swing Brake	✓		Storage Pocket	✓	
Auxiliary Hydraulic Lines	✓		Skylight	✓	
One and Two Way Auxiliary Flow	✓		Mounting Bosses for Front	✓	
Continuous Auxiliary Flow	✓		Signaling/Warning Horn	✓	
Auxiliary Line Quick Disconnects	✓		Boom Light, Halogen	✓	
<b>OPERATOR ENVIRONMENT</b>			LED Front Lights		✓
Tilt-up Canopy	✓		LED Front and Rear Lights		✓
Top Guard ISO 10262:1998 Level I	✓		LED Boom Light		✓
ROPS – ISO 12117-2:2008	✓		Utility Space for Mobile Phone	✓	
TOPS – ISO 12117:1997	✓		Mirrors Left and Right		✓
Machine 2-Point Lifting	✓		Next Generation Color LCD Monitor (IP66)	✓	
Stick Steer Mode	✓		– Fuel Level and Coolant Temperature Gauges	✓	
Travel Cruise Control	✓		– Maintenance and Machine Monitoring	✓	
Control Pattern Changer (optional in some regions)	✓	✓	– Performance and Machine Adjustments	✓	
Adjustable Wrist Rests	✓		– Numeric Security Code	✓	
Washable Floor Mat	✓		– Multiple Languages	✓	
Travel Pedals and Hand Levers	✓		– Hour Meter with Wake Up Switch	✓	

(continued on next page)

# 301.7 CR Mini Excavator

## Standard and Optional Equipment *(continued)*

Standard and optional equipment may vary. Consult your Cat dealer for details.

	Standard	Optional		Standard	Optional
<b>UNDERCARRIAGE</b>			<b>ELECTRICAL</b>		
Expandable Undercarriage	✓		12 Volt Battery	✓	
Rubber Belt (230 mm/9 in wide)	✓		Software (machine and monitor)	✓	
Steel Track (230 mm/9 in wide)		✓	Maintenance Free Battery	✓	
Dozer Blade	✓		Battery Disconnect		✓
Dozer Blade Float	✓		Signaling/Warning Horn	✓	
Hydraulic Track Adjusters	✓		12 Volt Power Socket	✓	
Tie Downs on Track Frame	✓		Product Link™ PL243 (regulations apply)		✓
<b>BOOM, STICK AND LINKAGES</b>			Product Link PLE643 (regulations apply)		✓
One Piece Boom (1780 mm/70 in)	✓		Travel Alarm (standard in some regions)		✓
Standard Stick (960 mm/37.8 in)	✓		<b>GUARDING</b>		
Long Stick (1160 mm/45.7 in)		✓	Polycarbonate Half Height Front Guard (Canopy only)		✓
Front Shovel Capable	✓		Polycarbonate Front Guard (ISO 10262 1998 Level I and EN356 PSA)		✓
Pin-On	✓		<b>OTHER</b>		
Dual Lock Manual Coupler		✓	Bio Oil Capable		✓
Thumb Ready (not available in all regions)	✓		Eco Drain		✓
Certified Lifting Eye (optional in some regions)	✓		Water Jacket Heater		✓
Attachments including Couplers, Thumbs, Buckets, Augers and Hammers		✓	Heavy Counterweight		✓
2nd Auxiliary Hydraulic Lines		✓			
Boom Lowering Check Valve		✓			
Stick Lowering Check Valve		✓			
Hydraulic Quick Coupler Lines (not available in all regions)		✓			

The following information applies to the machine at the time of final manufacture as configured for sale in the regions covered in this document. The content of this declaration is valid as of the date issued; however, content related to machine features and specifications are subject to change without notice. For additional information, please see the machine's Operation and Maintenance Manual.

For more information on sustainability in action and our progress, please visit <https://www.caterpillar.com/en/company/sustainability>.

## Engine

- The Cat® C1.1 engine meets U.S. EPA Tier 4 Final and EU Stage V emission standards.
- Cat diesel engines are required to use ULSD (ultra-low sulfur diesel fuel with 15 ppm of sulfur or less) or ULSD blended with the following lower-carbon intensity fuels up to:
  - ✓ 20% biodiesel FAME (fatty acid methyl ester)
  - ✓ 100% renewable diesel, HVO (hydrogenated vegetable oil) and GTL (gas-to-liquid) fuels
 Refer to guidelines for successful application. Please consult your Cat dealer or "Caterpillar Machine Fluids Recommendations" (SEBU6250) for details.

## Paint

- Based on best available knowledge, the maximum allowable concentration, measured in parts per million (PPM), of the following heavy metals in paint are:
  - Barium < 0.01%
  - Cadmium < 0.01%
  - Chromium < 0.01%
  - Lead < 0.01%

## Sound Performance

Average Exterior Sound Pressure 93 dB(A)  
(ISO 6395:2008)\*

- \*The labeled sound power level for the CE marked configurations when measured according to the test procedure and conditions specified in 2000/14/EC.

## Oils and Fluids

- Caterpillar factory fills with ethylene glycol coolants. Cat Diesel Engine Antifreeze/Coolant (DEAC) and Cat Extended Life Coolant (ELC) can be recycled. Consult your Cat dealer for more information.
- Cat Bio HYDO™ Advanced is an EU Ecolabel approved biodegradable hydraulic oil.
- Additional fluids are likely to be present, please consult the Operations and Maintenance Manual or the Application and Installation guide for complete fluid recommendations and maintenance intervals.

## Features and Technology

- The following features and technology may contribute to fuel savings and/or carbon reduction. Features may vary. Consult your Cat dealer for details.
  - Advanced hydraulic systems balance power and efficiency
  - Power On Demand provides full time efficiency and power when you need it and is transparent to the operator
  - Auto idle and auto engine shutdown
  - Extended maintenance intervals reduce fluid and filter consumption
  - Remote Flash and Remote Troubleshoot (if equipped)

## Recycling

- The materials included in machines are categorized as below with approximate weight percentage. Because of variations of product configurations, the following values in the table may vary.

Material Type	Weight Percentage
Steel	65.26
Iron	13.07
Rubber	8.59
Other	3.04
Nonferrous Metal	2.93
Plastic	2.67
Fluid	2.35
Uncategorized	0.85
Mixed-Metal and Nonmetal	0.68
Mixed-Metal	0.54
Mixed-Nonmetallic	0.02
Total	100

- A machine with higher recyclability rate will ensure more efficient usage of valuable natural resources and enhance End-of-Life value of the product. According to ISO 16714 (Earth-moving machinery – Recyclability and recoverability – Terminology and calculation method), recyclability rate is defined as percentage by mass (mass fraction in percent) of the new machine potentially able to be recycled, reused or both.

All parts in the bill of material are first evaluated by component type based on a list of components defined by the ISO 16714 and Japan CEMA (Construction Equipment Manufacturers Association) standards. Remaining parts are further evaluated for recyclability based on material type.

Because of variations of product configurations, the following values in the table may vary.

Recyclability – 95%

The data provided above was based on the product configuration as provided by the individual product group.

# 301.7 CR Mini Excavator

---

For more complete information on Cat products, dealer services, and industry solutions, visit us on the web at [www.cat.com](http://www.cat.com)

© 2023 Caterpillar  
All rights reserved

Materials and specifications are subject to change without notice. Featured machines in photos may include additional equipment. See your Cat dealer for available options.

CAT, CATERPILLAR, LET'S DO THE WORK, their respective logos, "Caterpillar Corporate Yellow," the "Power Edge" and Cat "Modern Hex" trade dress as well as corporate and product identity used herein, are trademarks of Caterpillar and may not be used without permission.

AEHQ8145-06 (02-2023)  
Replaces AEHQ8145-05  
Build Number: 05A  
(Global excluding  
China and Japan)

